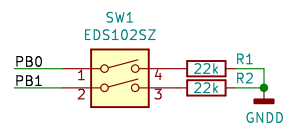
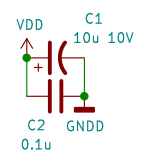
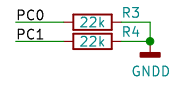


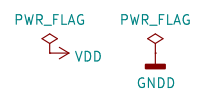
(F446 : None)



R1, R2, R3, R4, SW1 : not fitted



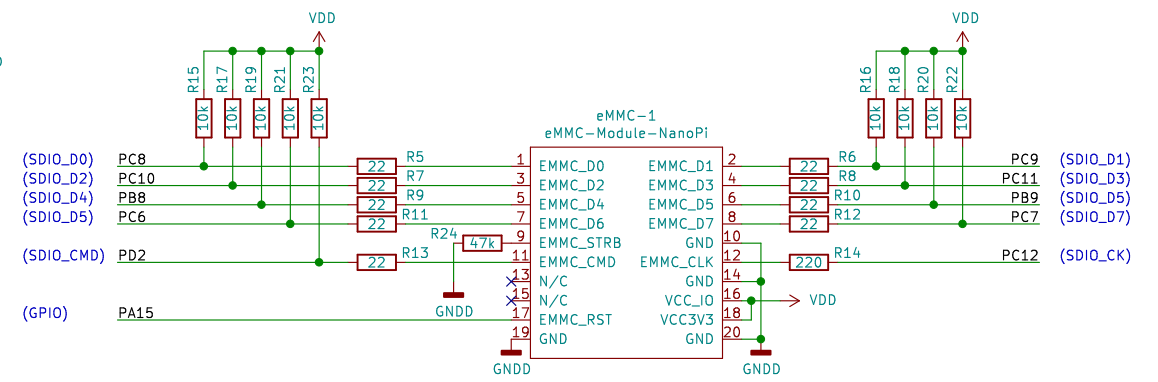
C1, C2 : not fitted



TP1 : not fitted



R15,R16, R17, R18, R19, R20, R21, R22, R23 : not fitted



R24 : not fitted

Revive

Sheet: /
File: IF_Nuc64_eMMC.sch

Title: IF-Nuc64-eMMC-V1

Size: A4 Date: 2022-11-26
KiCad E.D.A. kicad (5.1.9)-1

Rev: 1
Id: 1/1