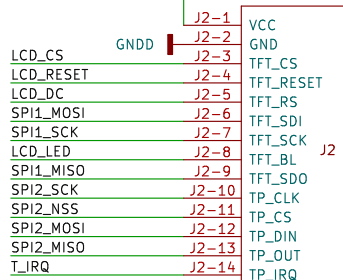
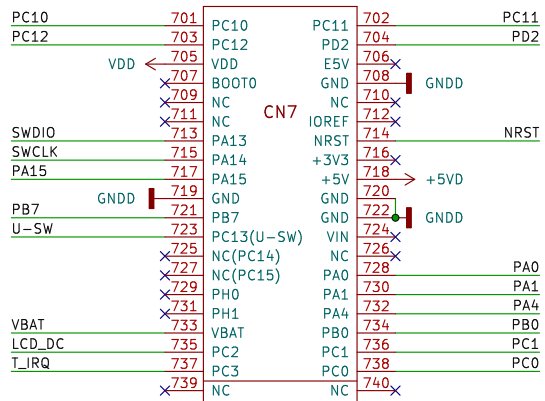
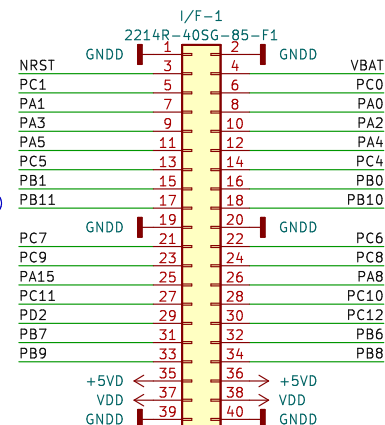


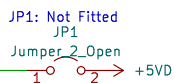
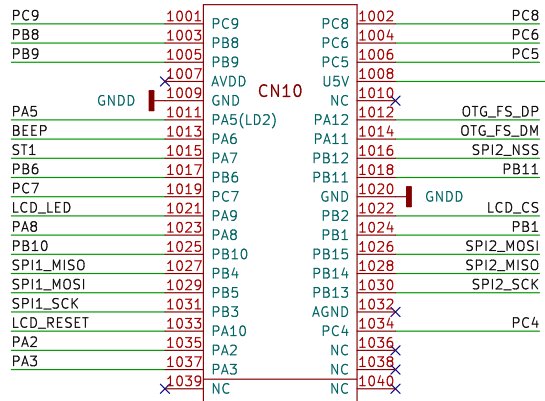
(F446RE : PA2, PA3 : Jumper required)



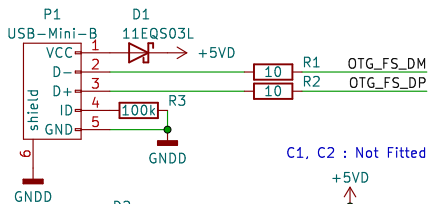
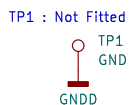
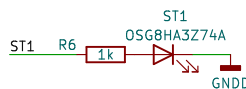
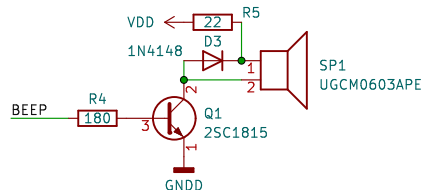
(F446RE : PB11 : unavailable)



Y1 NUCLEO-64

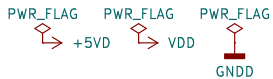
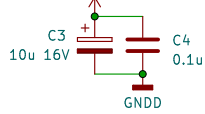
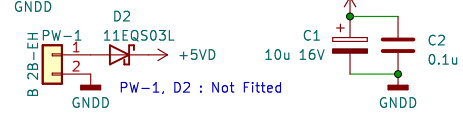


(F446RE : VCAP\_1)



C1, C2 : Not Fitted

C3, C4 : Not Fitted



egaono-electronics

Sheet:  
File: Base\_F446RE.kicad\_sch

**Title: Base-F446RE**

Size: A4 Date: 2024-12-31  
KiCad E.D.A. kicad 7.0.1

Rev: 2  
Id: 1/1